



**LIMODOR**  
INNOVATION ON AIR

# **AirVital**

*Individual room ventilation  
with heat recovery*



## Contents

Controlledventilation.....	3
Installation dimensions .....	4
Technical data .....	5
Control options .....	5
Installation options .....	6
Flush-mounted polystyrene unit .....	6
2-way ducting .....	7
Accessories/spare parts .....	7

### IMPRINT

Editorial office:  
LIMOT Elektromotorenbauges.m.b.H & Co KG  
A - 4060 Leonding, Paschinger Straße 56  
Phone: +43 57556  
Fax: +43 57556-3  
Email: [office@limot.com](mailto:office@limot.com)  
[www.limodor.com](http://www.limodor.com)

Responsible:  
R.Haase  
Photos and technical editing: LIMOT  
Reproduction, even in part, subject to approval

Leonding, 30. August 2019  
Errors and technical modifications reserved.

## Why Living Spaces Are Equipped With Controlled Ventilation Systems

### **Airtight Construction And Noise Protection**

Controlled living room ventilation means that in living spaces the incoming and exhaust air, amount and placement, is controlled.

This is necessary, since modern construction design seals the building envelope more and more tight and thus no natural ventilation can take place in the living space. On the other hand, traffic increases more and more in the cities and the noise pollution escalates. In exposed locations it is no longer possible to open the windows for fresh air supply of the rooms during the day or at night.

### **Allergies reduce the quality of life**

Millions of citizens suffer from allergies and diseases of the respiratory tract and are often exposed day and night to pollen without any protection. As a protective measure many affected persons close their windows and accept badly aerated rooms and apartments.

### **AirVital is the ideal solution**

With the installation of a decentralized AirVital individual room ventilation device for the controlled aeration and ventilation of living spaces with heat recovery all requirements for modern living room ventilation are met. This ventilation device distinguishes itself by many positive properties.

- Pollen-filtered fresh air supply through special incoming air filters class F7
- Low residual noise allows installation in bedrooms and living rooms
- Heating cost savings during the winter months through efficient heat recovery up to 73%
- Condensate is removed via the exterior wall
- Fresh air supply with closed windows and noise protection through integrated noise insulation
- Integrated end caps to prevent unwanted air exchange in off mode
- Comfort control (10 settings) with radio remote control
- LCD display of room temperature and humidity on the device
- Easy installation during renovation and subsequent installation in the exterior wall
- Stable flush-mounted shell for raw installation in new buildings





## AirVital-Individual Room Ventilation Device With Heat Recovery

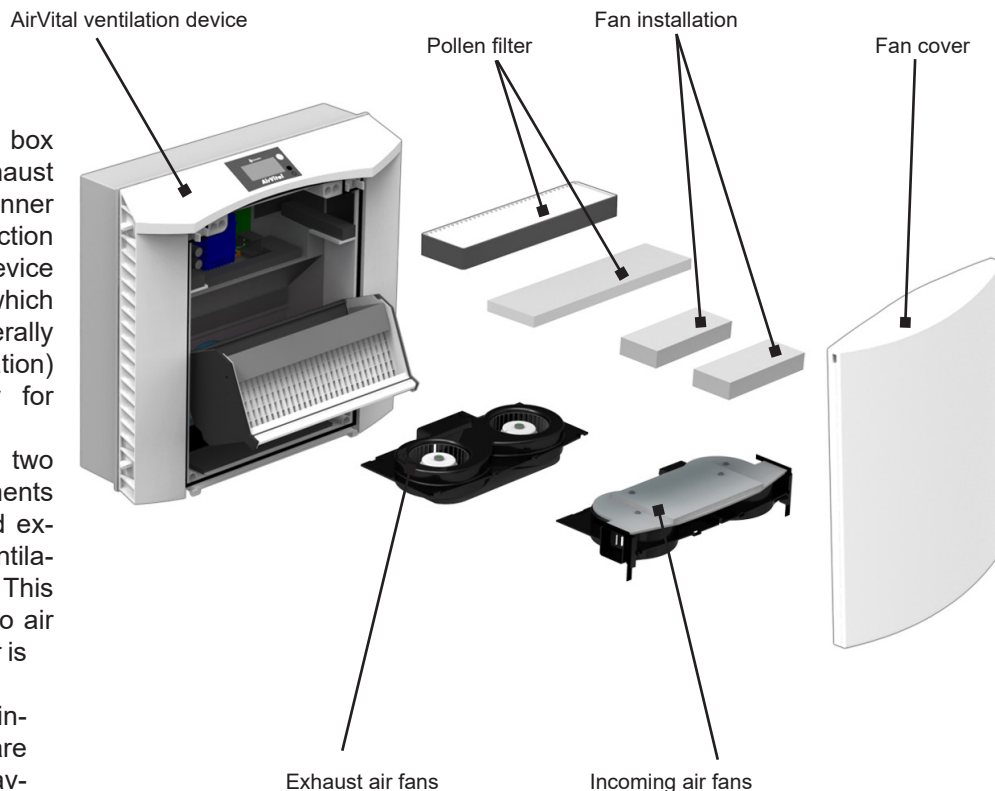
The individual room ventilation device LIMODOR AirVital consists of a plastic box with a 2-way incoming/exhaust air connector with 100 mm inner diameter. The power connection of the AirVital ventilation device is affected by a wall outlet, which is next to the device (generally for surface-mounted installation) or direct wiring (generally for flush-mounted installation).

The device comes with two hand-operated closure elements to shut off the incoming and exhaust air openings if the ventilation device is switched off. This is particularly necessary if no air exchange with the outside air is desired.

The structure-borne sound-insulated blower units are equipped with energy-saving motors and are protected against contamination by an upstream filter.

The air volume can be set in 10 stages by means of the radio remote control between 25m<sup>3</sup>/h and 70m<sup>3</sup>/h.

The installation of AirVital and AirVital-V in humidity areas (sauna, shower, etc.) is because of the extremely high moisture unsuitable!



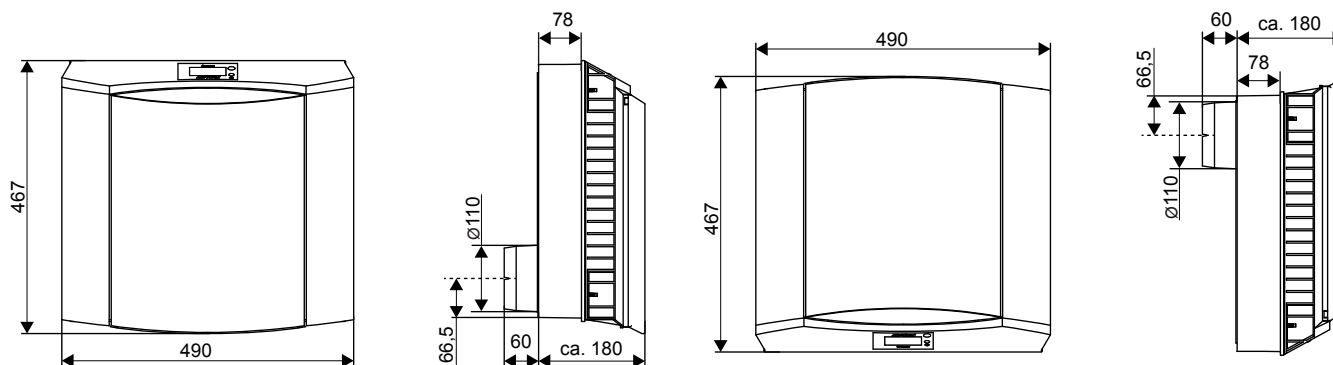
### Dimensions

#### **AirVital** (Art. no.: 45200)

for AirVital ventilation device installation  
to upper device edge = max 1800mm above floor level

#### **AirVital-V** (Art. no.: 45201)

for AirVital ventilation device installation  
from upper device edge >1800mm above floor level the  
device is installed with the display down





### Technical data:

Rated voltage:	230 VAC / 50 Hz
Current consumption:	12 - 32 Watt
Power consumption:	max. 0,17 A
Mains connection:	Cable outlet at rear
Air performance:	10 stages 25 - 70 m <sup>3</sup> /h
Residual noise:	21 - 41 DB(A)
Sound insulation:	D <sub>n,e,w</sub> = 52 dB
Heat recovery degree	up to 73%
Filter type:	triple layer, synthetic composite filter
Filter class:	F7



### AirVital controller

The AirVital individual room ventilation device comes with a radio remote control. Select between 3 different ventilation programs. The air volume can be set in 10 stages.

### Display



Room temperature      Ambient humidity  
Fan rotation speed setting      Program

### Remote control



Fan control button +/-      Program selector buttons

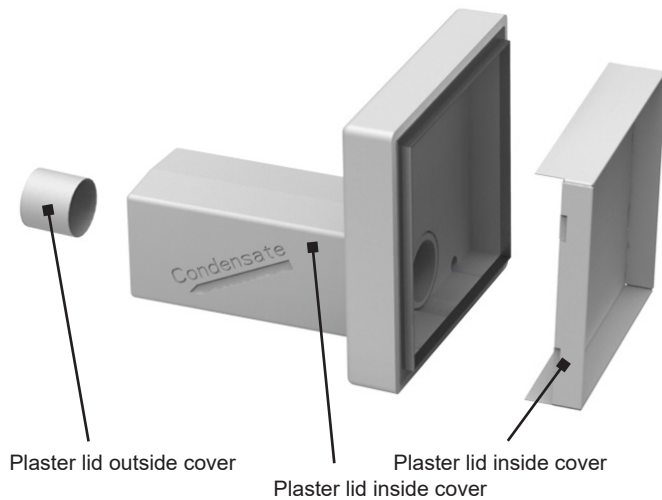
### Ventilation programs

- P1** ..... Standard ventilation mode – ventilation device manually on/off
- P2** ..... Dehumidifying program – when exceeding the set ambient humidity the ventilation device turns on. Please note that only in those cases fresh air is coming in if the external humidity is lower than the ambient humidity.
- P3** ..... Room temperature/humidity program - when exceeding the set ambient humidity or room temperature or both the ventilation device turns on. Please note that this only occurs if the external humidity is lower than the ambient humidity.

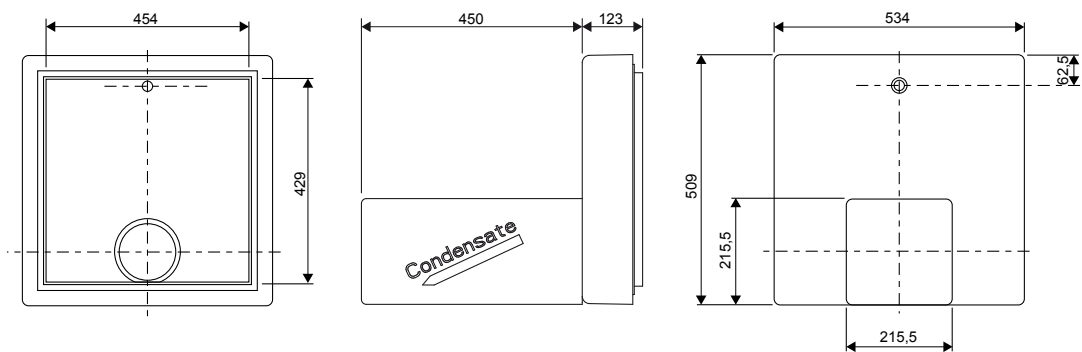
**Polystyrene box *AirVital* (flush-mounted installation)**

Art. no. 45204

For new installation in new buildings the flush-mounted polystyrene box is an important accessory for integrating the *AirVital* individual room ventilation device perfectly in the exterior wall. The polystyrene box helps fitting the device properly into the façade and the ventilation device is only installed in the polystyrene box after all brick and plaster work is completed. This helps preventing contamination and damage of the device. In addition the device can easily be removed for possible maintenance work. The polystyrene body is simply bricked into the exterior wall and inside and outside sealed with the supplied plaster lids.

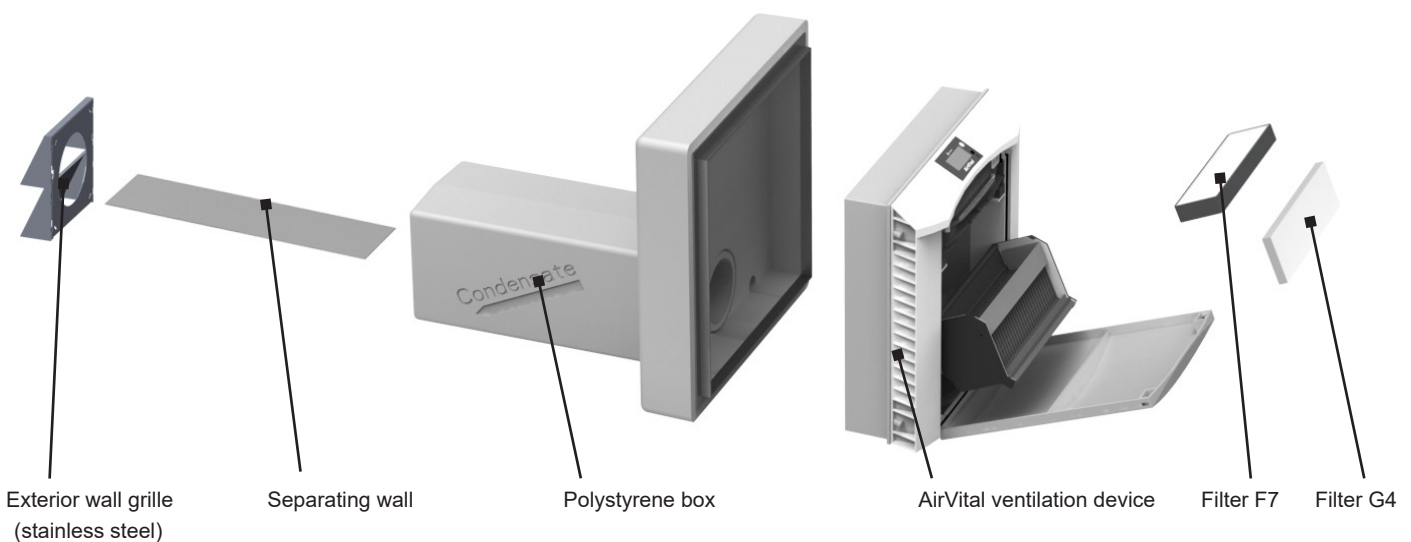


**Dimensions**



**Completion**

After wiring and finishing the interior and exterior plaster work the plaster lids are removed and the device can be installed. First the separating wall is inserted in the incoming/exhaust air duct and respectively shortened. Afterwards both the device and the exterior facade cover can be installed.

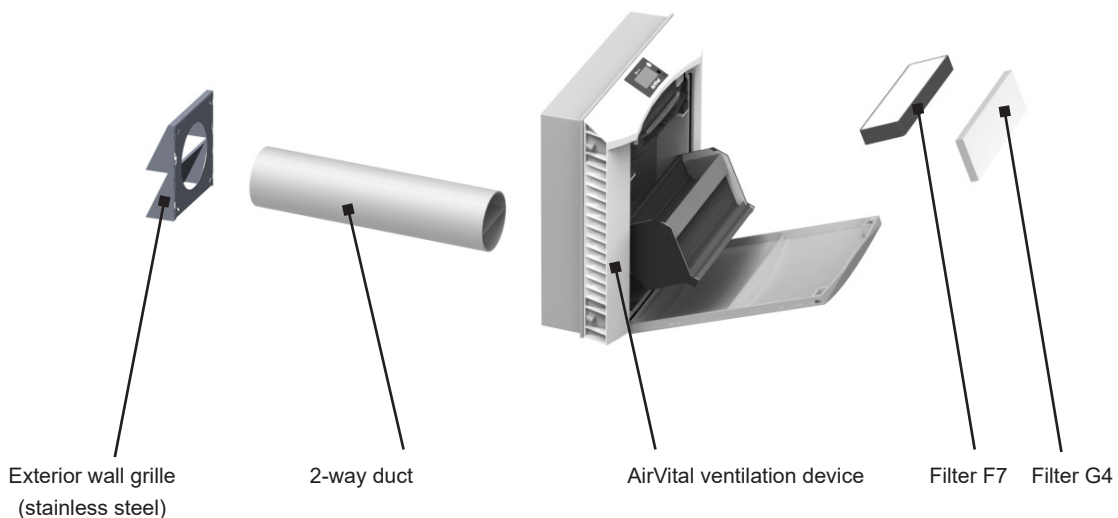


## 2-way duct **AirVital** (surface-mounted installation)

Art. no. 45202 - 390 mm long, for wall thickness up to 425mm

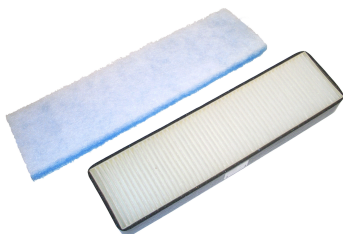
Art. no. 45203 - 775 mm long, for wall thickness up to 810mm

For renovation (subsequent installation) we suggest easy surface-mounted installation of the AirVital ventilation device. Drill a 125mm hole, slightly sloped to the outside, through the exterior wall. The 2-way duct is connected to the ventilation device and inserted into the hole. Attach the device to the wall, cut the 2-way duct flush on the exterior façade and install the exterior façade cover.



## **AirVital** filter

For providing the best protection even for allergy sufferers the AirVital individual room ventilation device comes with a pollen filter class F7. However, you only have real protection if the filter is regularly checked and replaced, if necessary. The integrated filter contamination display supports the user in monitoring the filter. Filter insert replacement is easy and can be done by the user. Remove the cover, swivel out the heat exchanger with the filter and replace the filter. Replace the filter with the heat exchanger in the device, replace the cover, done.



### Replacement filter AirVital F7

consisting of:

- Supply air filter / filter class: F7
- Exhaust filter / filter class: G4

Art.Nr. 60014

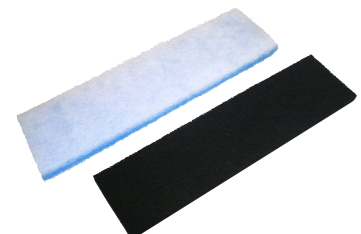


### Replacement filter AirVital G4

consisting of:

- Supply air filter / filter class: G4
- Exhaust filter / filter class: G4

Art.Nr. 60015



### Replacement filter AirVital activated carbon

consisting of:

- Supply air filter / activated carbon
- Exhaust filter / filter class G4

Art.Nr. 60016

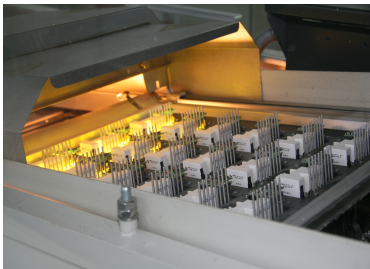


# LIMODOR

**AirClean**  
**AirOdor**  
**AirOnova**  
**AirVital**  
**AirBase**  
**AquaVent**  
**Limax**

QUALITY MADE IN AUSTRIA

In previous years, LIMOT demonstrated technical innovation-strength, which reflects on our LIMODOR products. LIMODOR - products are made of superior material and rigorously tested before distribution. The test results are monitored externally by TÜV, ÖVE and VDE.



## LIMOT Elektromotorenbauges.m.b.H & Co. KG

**HEAD OFFICE - Leonding**  
Paschinger Straße 56, A - 4060 Leonding  
e-mail: [office@limot.com](mailto:office@limot.com)

**SALES OFFICE - Vienna**  
Prechtlgasse 9, A - 1090 Vienna  
e-mail: [office.wien@limot.com](mailto:office.wien@limot.com)

**Tel.: +43 (0)57556**  
**[www.limodor.com](http://www.limodor.com)**