



LOT6

2018



F400

SMOKE EXTRACT FANS

THE NEW PRODUCT RANGES FOR MORE SAFETY

UP TO 200°C CONTINUOUS OPERATION | 400°C / 120 MIN.

MPS...D F4

MPC...D F4 T

MPC...D F4 TI



- Dual-Use 400 °C / 120 min. and 200 °C continuous operation
- Double skinned, steel sheet casing with 40 mm mineral wool insulation
- Three possible exhaust directions: right / left / upwards
- Backward curved centrifugal impeller with screw tight hub and with Taperlock shaft-hub connection
- Casing base conceived with integrated drain
- Max. airflow rate 11.800 m³/h

- Dual-Use 400 °C / 120 min. and 200 °C continuous operation
- Innovative motor cooling concept
- Double skinned, steel sheet casing with 30 mm mineral wool insulation
- Three possible exhaust directions: right / left / upwards
- Backward curved centrifugal impeller with screw tight hub and with Taperlock shaft-hub connection
- Casing base conceived with integrated drain
- Max. airflow rate 17.500 m³/h

- Dual-Use 400 °C / 120 min. and 200 °C continuous operation
- Double skinned, steel sheet casing with 30 mm mineral wool insulation
- Linear airflow
- Backward curved centrifugal impeller with screw tight hub and with Taperlock shaft-hub connection
- Integrated drain
- Max. airflow rate 12.100 m³/h

The new fans are certified for the temperature class F400 according to the European product requirements and testing standard DIN EN 12101-3. They allow a medium temperature of up to 400 °C / 120 min. They are additionally suitable for continuous operation of up to 200 °C medium temperature.

All smoke extract fans are driven by frequency controllable IE3 premium efficiency motors. The motors are outside of the airflow and have a special shaft sealing, which prevents oil and water from entering over the shaft.

DVN...D F4

DVNI...D F4

DHN...D F4



- Dual-Use 400 °C / 120 min. and 200 °C continuous operation
- Innovative motor cooling concept
- Casing made of seawater-resistant aluminium, base plate and inlet cone are made of galvanized sheet steel
- Backward curved centrifugal impeller with screw tight hub and with Taperlock shaft-hub connection
- Integrated grease pan with drain
- Max. airflow rate 14.300 m³/h

- Dual-Use 400 °C / 120 min. and 200 °C continuous operation
- Innovative motor cooling concept
- Sound insulated casing
- Casing made of seawater-resistant aluminium, base plate and inlet cone are made of galvanized sheet steel
- Backward curved centrifugal impeller with screw tight hub and with Taperlock shaft-hub connection
- Integrated grease pan with drain
- Max. airflow rate 14.300 m³/h

- Dual-Use 400 °C / 120 min. and 200 °C continuous operation
- Innovative motor cooling concept
- Casing made of seawater-resistant aluminium, base plate and inlet cone are made of galvanized sheet steel
- Backward curved centrifugal impeller with screw tight hub and with Taperlock shaft-hub connection
- Max. airflow rate 15.750 m³/h

MOTOR TECHNOLOGY

- IE3 premium efficiency standard motors in protection class IP55
- Motors have a special shaft sealing, which prevents oil and water from entering over the shaft
- High energy efficiency at full and part load range
- Control with frequency converter in protection class IP66 with Fire-Mode function

ELECTRICAL ACCESSORIES

Frequency converter

IP 66



Potentiometer

MTP



Constant pressure control

CON P1000



Motor protection switch

MS



MECHANICAL ACCESSORIES

MPS...D F4



Weather protection hood



Wall bracket



MPC...D F4 T



Base frame



Panel with spigot



Inlet spigot



Rain cover



Closed panel



MPC...D F4 TI



Panel with condensate drains



DVN/DVNI/DHN...D F4



Flat roof socket



Sloped roof socket



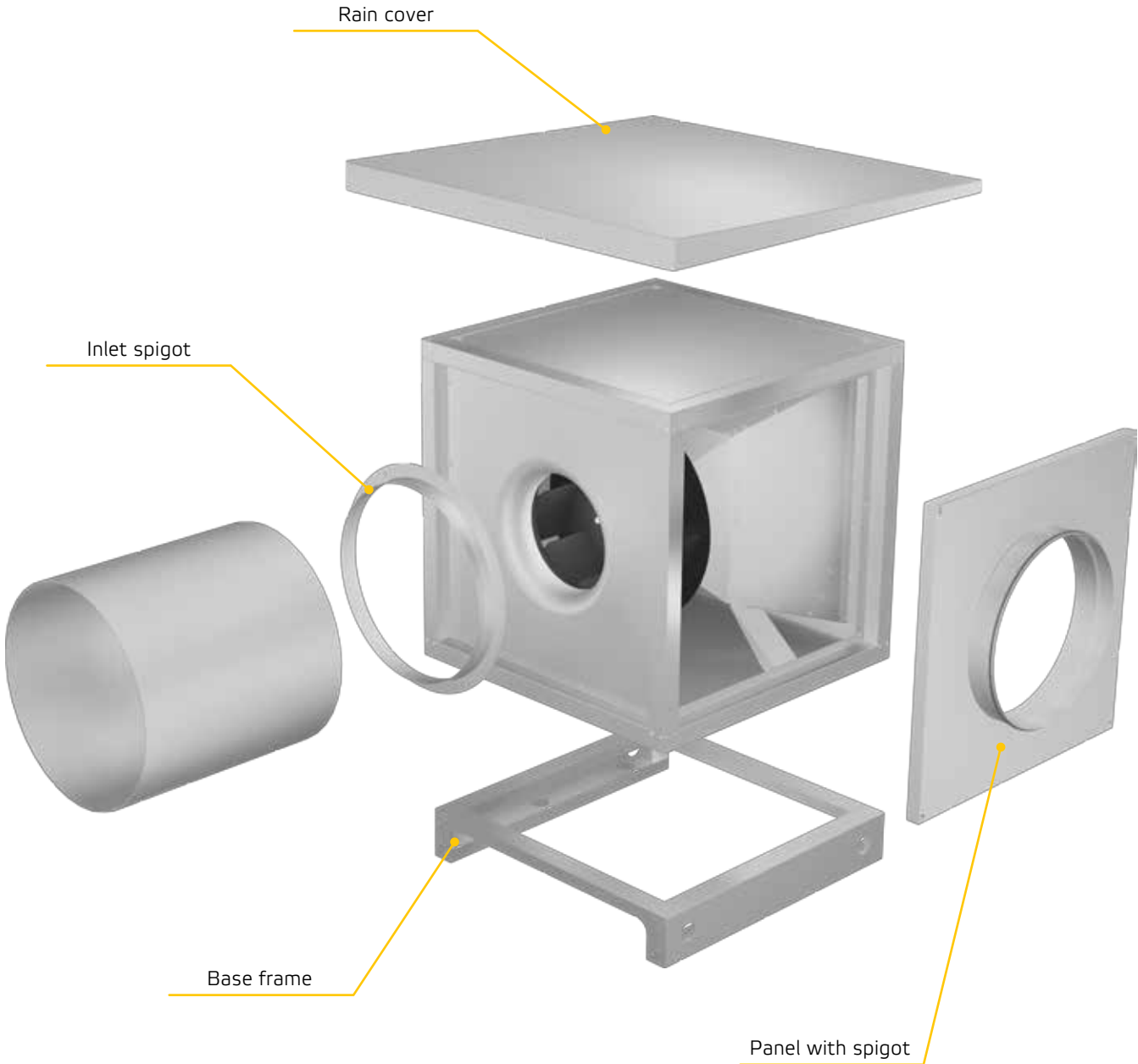
Inlet flange



Roof adapter plate

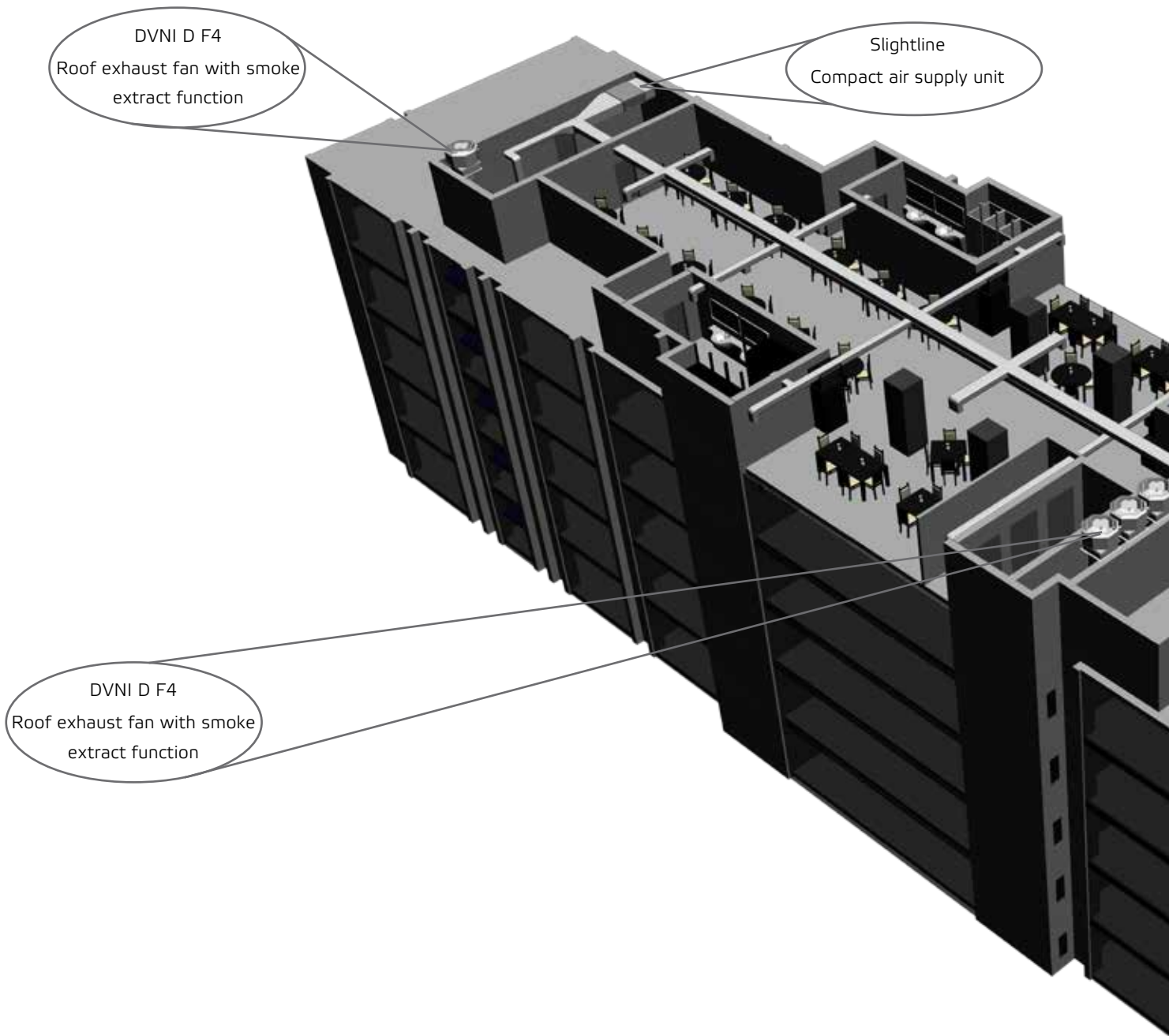


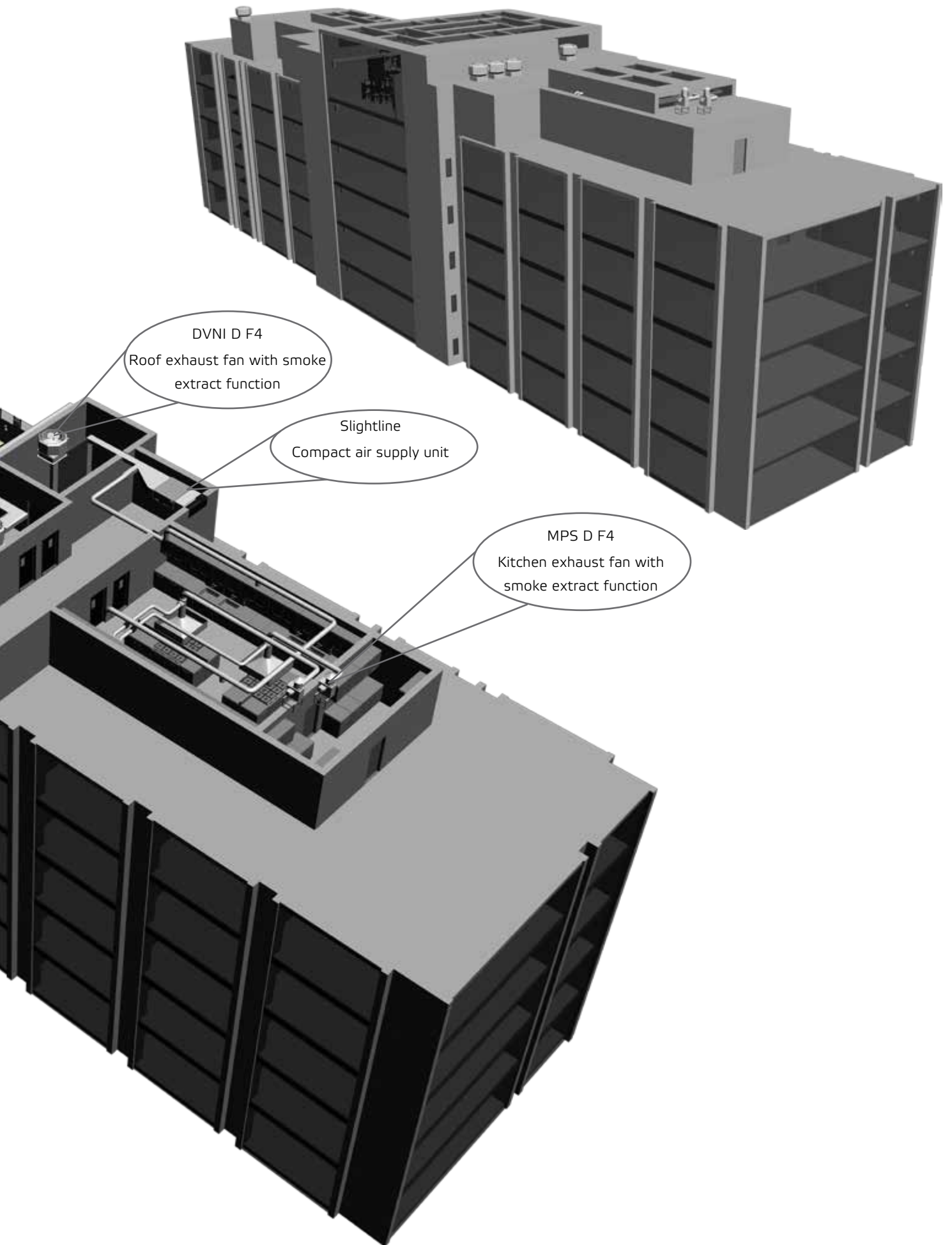
INSTALLATION EXAMPLE



APPLICATION EXAMPLE SMOKE EXTRACT FANS

Office building with restaurant on top





DVNI D F4
Roof exhaust fan with smoke
extract function

Slightline
Compact air supply unit

MPS D F4
Kitchen exhaust fan with
smoke extract function

OUR PRODUCT PORTFOLIO

IN LINE TUBE FANS

ETALINE and ETAMASTER, the No. 1 in saving energy.



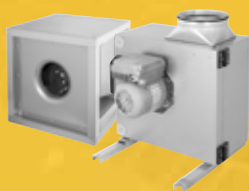
DUCT FANS

Backward curved centrifugal fans, sound insulated, compact diagonal fans.



EXHAUST FANS

Exhaust fans for industry and kitchen exhaust, up to 200 °C continuous operation, 400 °C / 120 min.



ROOF FANS

Roof fans with horizontal and vertical discharge, up to 200 °C continuous operation, 400 °C / 120 min.



COMPACT AHU

With counter flow heat exchanger with more than 90% heat recovery efficiency and EC fans. Available with horizontal or vertical air guidance respectively flat units for suspended ceiling mounting.



COMPACT AHU

With rotary heat exchanger with up to 80% heat recovery efficiency and EC fans. Available with horizontal or vertical air guidance.



ruck Ventilatoren GmbH

Max-Planck-Str. 5
D-97944 Boxberg

Tel. +49 (0)7930 9211-300
Fax +49 (0)7930 9211-166

www.ruck.eu
info@ruck.eu

